

# E12-12 (12.8V12AH)

## TCSN Provides Safe and Efficient LFP Battery Solutions

E series adopt best value LiFePO4 cells, with the BMS system independently designed by TCSN. IP67 protection, support series and parallel use, is an ideal choice for outdoor, small energy storage, marine and other fields.

### FEATURES

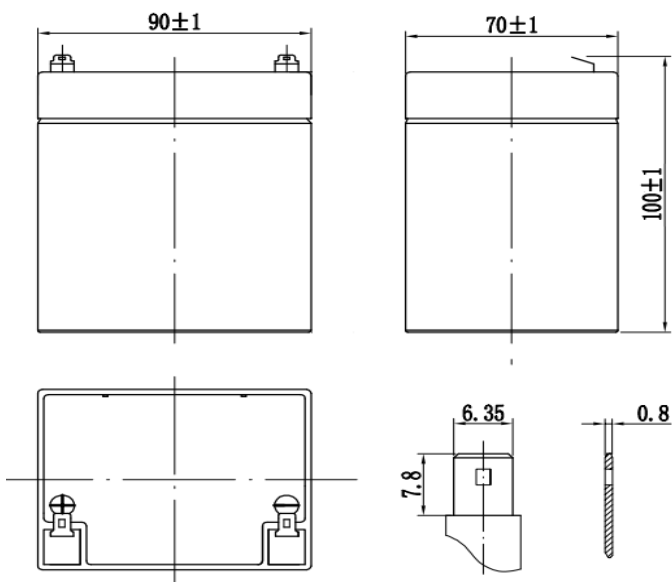
- Safest Lithium Battery Technology
- Lighter Weight
- Eco-friendly
- Longer Life
- Multiple Safety Protection
- Intelligent Balancing Function
- 20 Years Designed Service Life



### PERFORMANCE

Cell	Cylinder LFP 4Ah	Rated Charge Current	6A	Rated Discharge Current	6A
Terminal	F2	Max. Charge Current	12A	Max. Discharge Current	12A
IP Grade	IP67	Rated Charge Voltage	13.6~13.8V	Rated Discharge Cut-off Voltage	10.0V
Self Discharge	<=2%/Month	Maximum Operating Voltage	14.6V	Min. Operating Voltage	>9.6V
Cycle Life	4000times(80%DOD)	Balancing Voltage	>13.6V	System Series	<=8pcs

### SIZE



### PERFORMANCE PARAMETERS

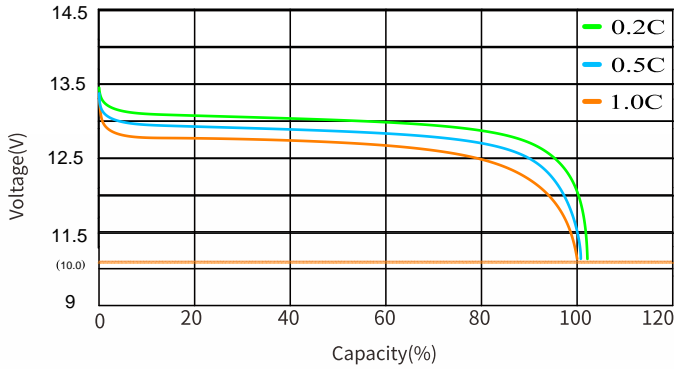
Capacity	12Ah(0.5C@25 °C )
Nominal Voltage	12.8 V
Energy	153.6 Wh
Weight	1.3 kg
Dimensions	151*65*100 mm
Internal resistance	<50m
Storage Temp	-5°C to 35°C
Discharge Temp	-20°C to 55°C
Charge Temp	0°C to 45°C

### COMPLIANCE

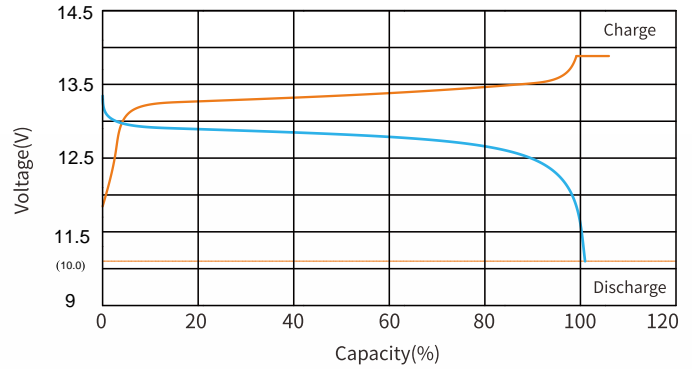
Certifications	Cell	UN38.3
	Battery	UN38.3
Transport Appraisal	UN3480, CLASS 9	

# CHARACTERISTICS CURVE

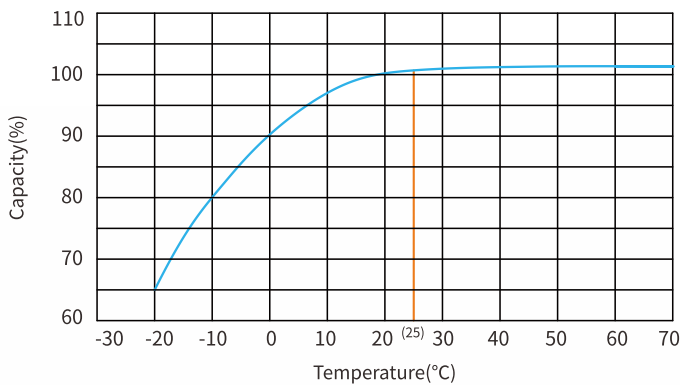
Discharge Performance at 25°C



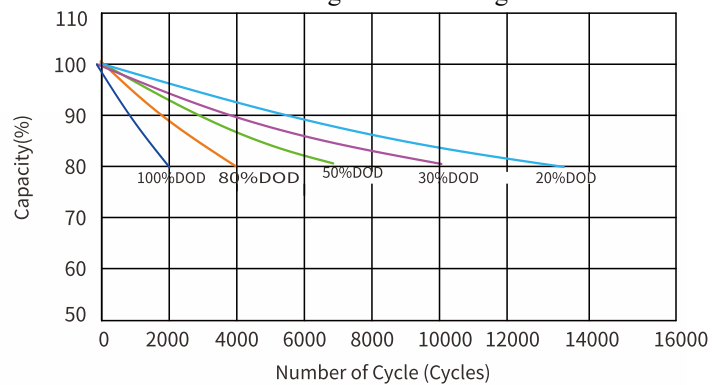
Charge and Discharge at 25°C, 0.5C



Temperature Effects on Capacity at 0.5C



Cycle Life with DOD at 25°C  
1C Discharge and 1C Charge



# CAUTIONS

1. Do NOT short circuit, crush or disassemble.
2. Do NOT heat or incinerate.
3. Do NOT immerse in any liquid.
4. Store at 50% capacity. Recharge every 3 months. The storage area should be clean, cool, dry and ventilated.
5. Disconnect charging source prior to connecting or disconnecting battery terminals.
6. Do not dispose of batteries in a fire as they can explode.
7. Do not open, alter, or mutilate batteries. Released electrolyte is harmful to skin and eyes. It may be toxic.
8. Do not mix different types and brands of lithium-ion batteries.
9. Do not dispose in trash, follow local regulations and manufacturer's instruction.
10. See installation instructions before connecting to the supply.
11. The battery cabinet receives power from more than one source. Disconnection of all DC sources is required to De-energize this unit before installing or servicing. Wait 5 minutes before opening the unit.
12. Do not install on or over combustible surfaces.
13. Refer to manual before servicing.
14. Do not touch bare terminals.
15. Country of origin is China